

DOWNLIGHTS

ROBUS[®]

CAVAN DIMMABLE COB LED DOWNLIGHT, 3,000K, 4,000K AND 6,500K CCT SELECTABLE

This great looking LED fitting is ideal for general lighting in domestic or commercial applications, the tilt version in 6.5W is particularly suitable for highlighting wall or floor displays. It provides great functional dimming and can be set to a choice of Warm, Neutral or Daylight white colour temperatures. Outstanding lighting performance with excellent energy and maintenance saving make this a superb replacement for LV halogen or lower wattage PL



Applications:

- Commercial buildings
- Retail shops & museums
- Public buildings
- Schools
- Hotels
- Function rooms
- Restaurants, Bars & Clubs
- Bath & Cloak rooms
- Wet rooms and wash down areas

Construction:

Die cast aluminium heat sink/housing
Polycarbonate bezel, connector housing & cover
Polycarbonate LEDchroic lens
Aluminium substrate PCB
Stainless steel fixings
Spring steel ceiling clips

Features:

- Tilt version tiltable to 25°
- Modern aesthetic design
- White or brushed chrome trim versions available
- Manufactured from polycarbonate & die cast aluminium main body/heat sink
- LEDchroic 38-degree polycarbonate lens
- Warm, neutral or cool white colour temperatures selectable via rear mounted switch
- Utilises high quality long life multi-LED COB technology to:
 - Provide exceptional light output and low power consumption to achieve great efficacy
 - Ensure lumen & CCT depreciation is minimised
 - Long rated LED life
- Integral phase-cut dimmable driver
- Solid state technology
 - No heat filaments, electrodes or seals
 - No cool down or warm up time
- Shallow body dimension
- Hinged snap-shut cover termination block with:
 - LEN push in spring terminals
 - 2 conductor terminations per pole
 - Cable restraint clamp
 - Spacious termination area
 - Flexible connector block to body mounting arm

Benefits:

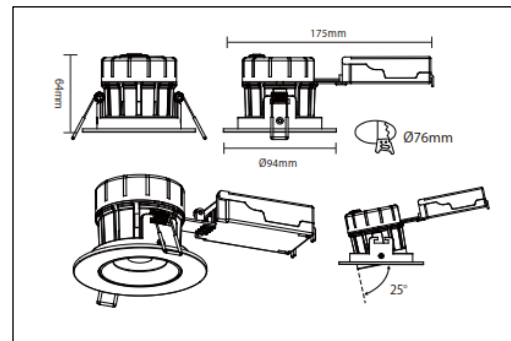
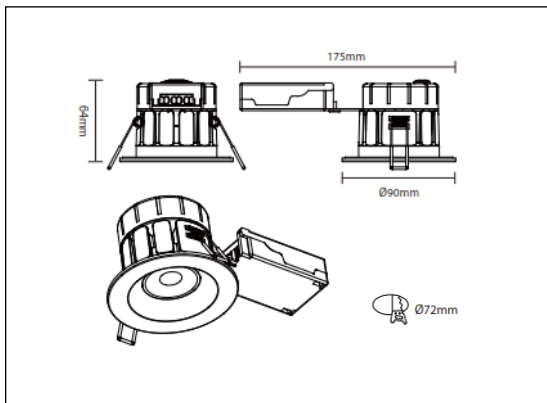
- Great for wall and floor display items in shops or museums
- Looks very attractive
- Choice of colour to match or contrast decor
- Strong & durable
- Excellent thermal management for extended LED & driver life
- Achieves the traditional look of a dichroic lamp
- Uniform shadow free light beam with gentle cut off
- Select the CCT for the use of the lit space after installation
- Easily change the CCT if use changes without changing fittings
- Compared to LV Halogen:
 - Comparable light output so is a one for one replacement
 - Saves over 78% energy for paybacks in less than 12mths
 - Superb efficacy to comply with existing & future regulations
 - Light output and colour is consistent over life
 - No maintenance cost for replacement lamps
- Dimmable with approved leading & trailing edge dimmers
- Rugged – will not fail through vibration or hot to cold temperature changes for huge maintenance cost savings
- Can be used in conjunction with presence detectors to provide “instant on/off” for additional energy savings without detriment to LED life as is the case with traditional light sources
- Can be operated 24/7
- Great for small void spaces
- Fast & easy access for termination
- Constant spring pressure ensures no bad connections
- Loop in/out is easily accommodated
- Cables are positively fixed for safety
- Plenty of room for routing of conductors
- Horizontal to vertical flexibility for easy ceiling installation

DOWNLIGHTS

ROBUS®

CAVAN DIMMABLE COB LED DOWNLIGHT, 3,000K, 4,000K AND 6,500K CCT SELECTABLE

	Straight	Tilt
Product Codes:	White: RC8CCT3-01 Brushed Chrome: RC8CCT3-13	RCT6CCT3-01 RCT6CCT3-13
Comparable to:	50W Halogen	50W Halogen
Total Power (W):	7.9/7.7/7.9	6.7/6.6/6.7
Total Light Output (lm):	710/820/810	590/680/670
Efficacy (lm / cctW):	90/107/103	88/102/99
Rated LED Life (hrs):	50,000	50,000
Warranty (yrs):	5	5
Illuminance at 1m (lx):	950/1,100/1,090	880/1,000/1,000
Beam Angle (deg):	38	38
CCT (K):	3,000/4,000/6,500	3,000/4,000/6,500
CRI (Ra):	80	>80
Ingress Protection (IP):	65	20
Operating Temperature (°C):	-20 ≤ Ta ≤ +40	-20 ≤ Ta ≤ +40
Output Current (mA):	65	53
Operating Voltage (Vac):	220-240	220-240
Power Factor (PF):	0.8	0.8
Length (mm):	175	175
Cut-out (mm):	72	76
Diameter (mm):	90	94
Height (mm):	64	64
Depth (mm):	61	61
Projection (mm):	3	3
Tilt (°):	NA	25
Box Qty:	1	1
Weight (kg):	0.17	0.17



Standards & Approvals:

Complies with: EC60598-1, IEC60598-2-2 ; IEC62471 ; IEC62493 ; IEC55015 ; IEC61000-3-3 ; IEC61000-3-2 ; IEC61547

Cone Illuminance Diagram:

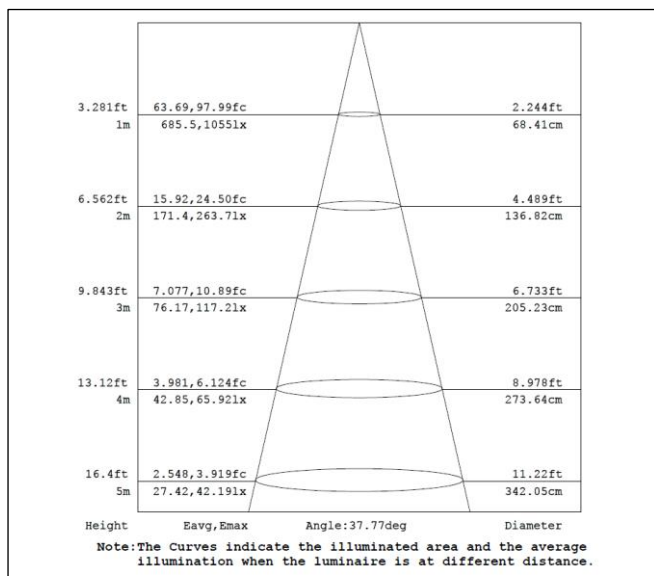
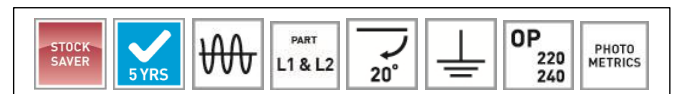


Diagram for RCT8CCT3-01 in 3,000K. Other diagrams available on request



Polar Intensity Diagram:

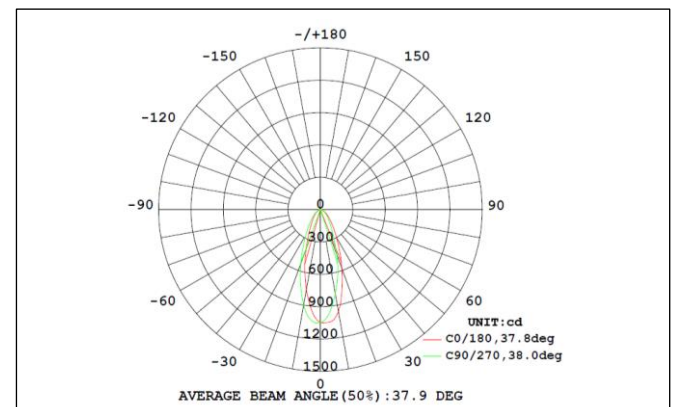


Diagram for RCT8CCT3-01 in 3,000K. Other diagrams available on request



PLEASE NOTE: INFORMATION IN THIS DOCUMENT MAY BE SUBJECT TO CHANGE WITHOUT PRIOR NOTICE

IRE: TEL: +353 1 709 9000 WEB: WWW.LEDGROUPROBUS.COM
 AUS: TEL: +61 7 3890 5444 WEB: WWW.LEDGROUPROBUS.COM.AU